

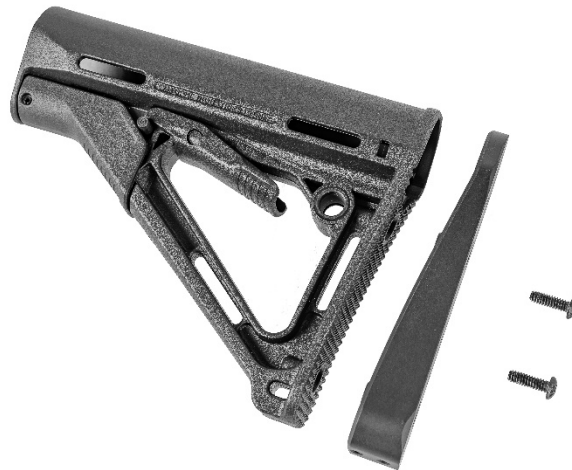
Arisaka Stock Angle Adapter CTR
Patent Pending

02/17/2022

1. Remove the recoil pad from the CTR Stock with a 1/8" Allen wrench.

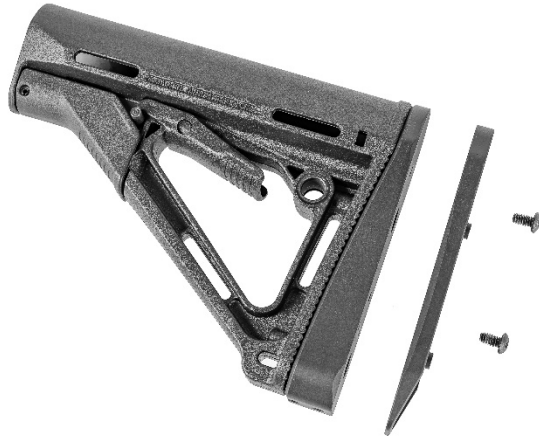


2. Reuse the screws from step 1 to attach the front half of the Stock Angle Adapter to the CTR stock. Torque to 15 inch lbs.

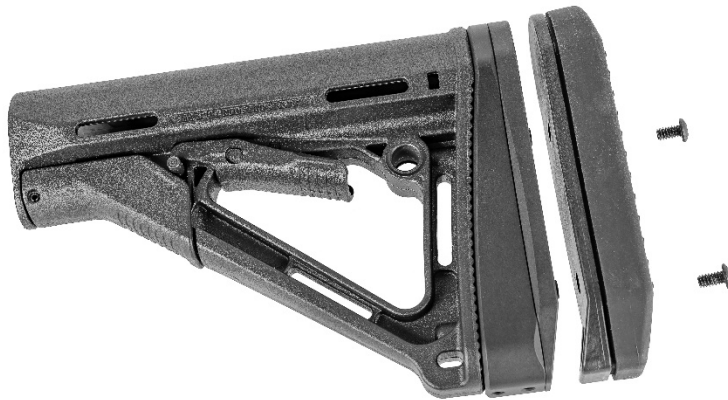


Cont.

3. Attach the rear half of the Stock Angle Adapter using the provided button head screws. Torque to 30 inch lbs.



4. Attach the recoil pad to the rear of the Stock Angle Adapter using the provided button head screws. Torque to 15 inch lbs.



Cont.

5. The height and cant of the recoil pad can be adjusted by choosing different combinations of alignment holes between the front and rear plates.

